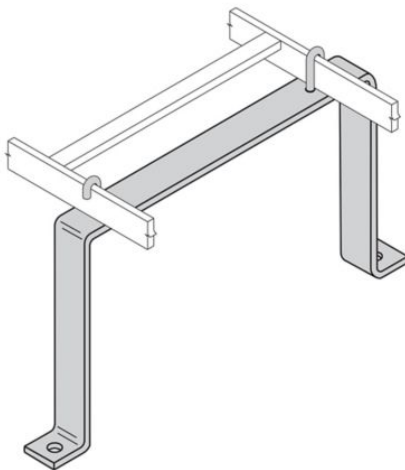


Eaton SB2261812FB

Catalog Number: SB2261812FB

Eaton B-Line series runway support, Used to support cable runway from objects, Runway support, ASTM A36 structural steel, Flat black powder coat



General specifications

Product Name	Catalog Number
Eaton B-Line series runway support	SB2261812FB
UPC	Product Length/Depth
799038357148	21.75 in
Product Height	Product Width
12 in	18 in
Product Weight	Certifications
3.6 lb	UL Listed

Product specifications

Type

Runway support

Material details

Flat black powder coat ASTM A36 steel

Application

Used to support cable runway from objects

Resources

Brochures

[Redi-Rail runway brochure](#)

Catalogs

[Cable runway and accessories section of datacomm catalog](#)

Specifications and datasheets

[Eaton Specification Sheet - SB2261812FB](#)



Eaton Corporation plc
Eaton House
30 Pembroke Road
Dublin 4, Ireland
Eaton.com

© 2023 Eaton. All Rights Reserved.

Eaton is a registered trademark.

All other trademarks are property of their respective owners.



[Eaton.com/socialmedia](https://www.eaton.com/socialmedia)